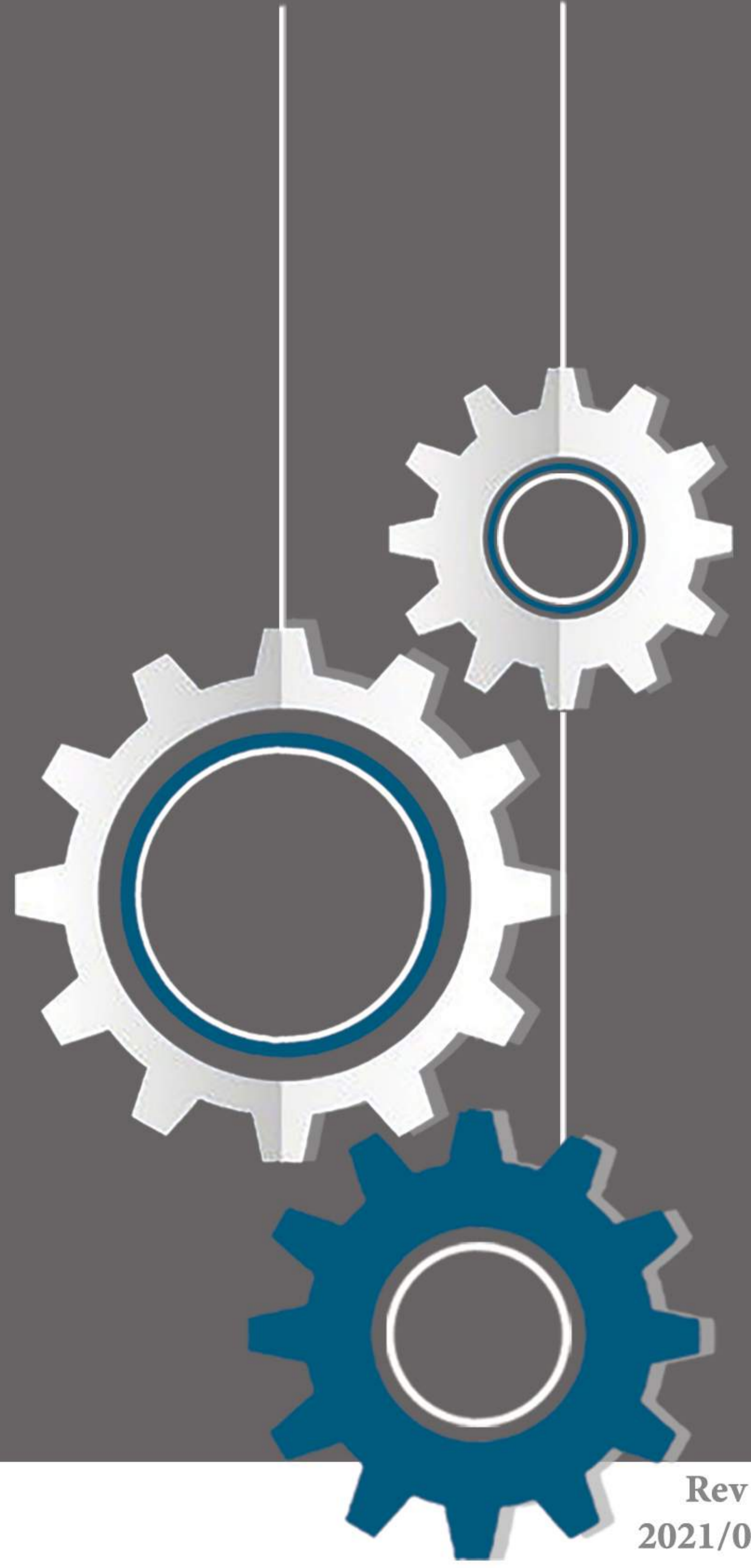
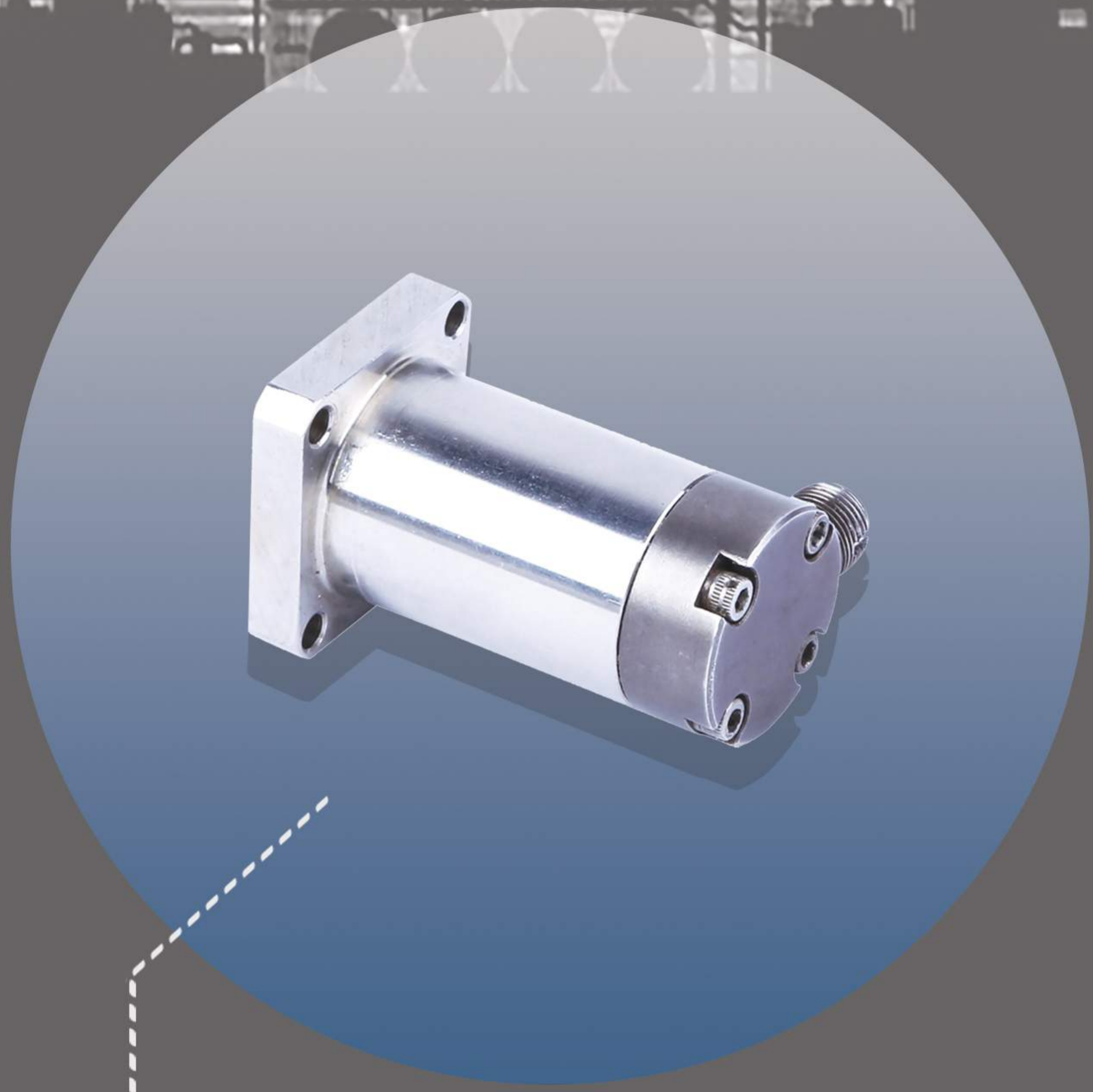
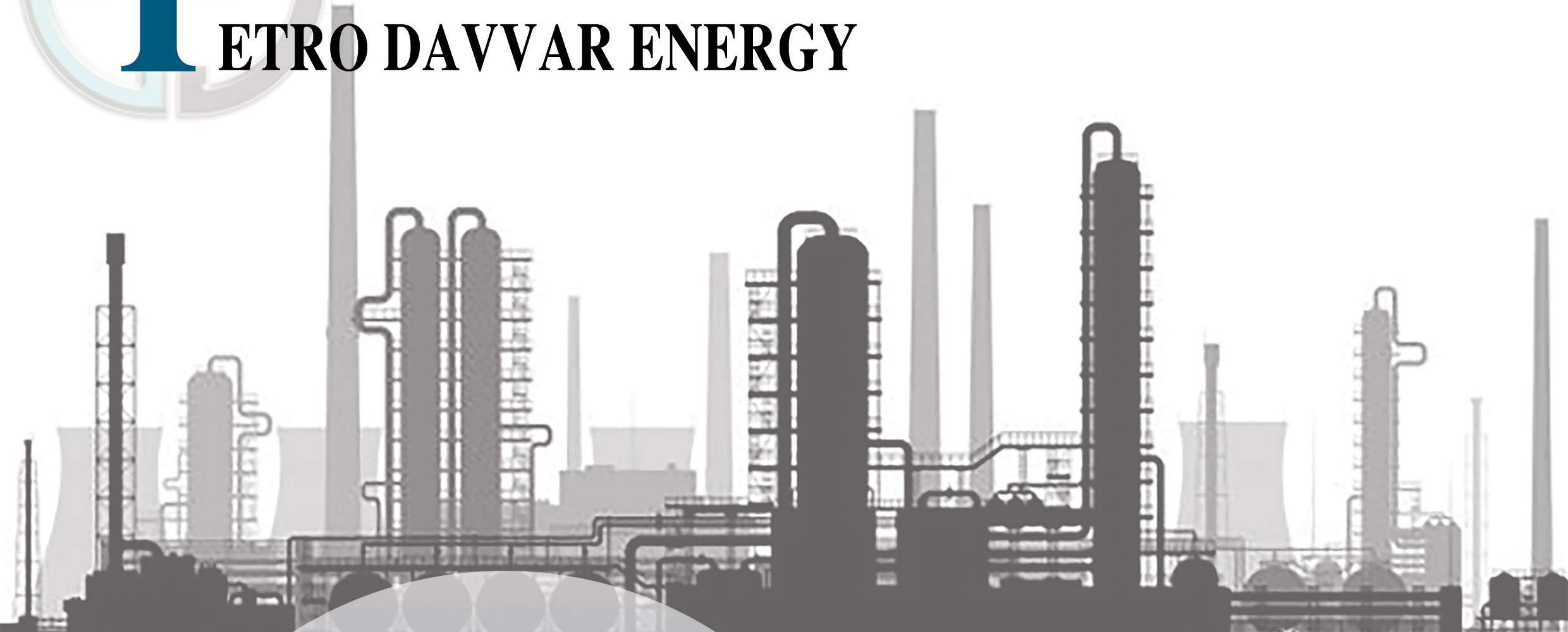




ETRO DAVVAR ENERGY



Velocity sensor



If there is a will, there is a way...

Rev E
2021/09/05

Velocity sensor

Introduction To Velocity Sensor

The Petro Davvar Energy VTS-24 is a moving-coil velocity transducer, designed for continuous use in elevated temperatures up to 240°C. A coil provides accurate, repeatable vibration measurements over a wide range of amplitude and frequency. The sensor is available in two configurations: with integral armored cable or removable armored cable via a 2-pin connector. The case is constructed of stainless steel and its robust internals are hermetically sealed to ensure durability in the most environments.

The VTS-24 Vibration Pickup

- Has made according to API670
- Designed for temperatures up to 240°C
- Self-generating
- Available with integral or removable cable



Applications

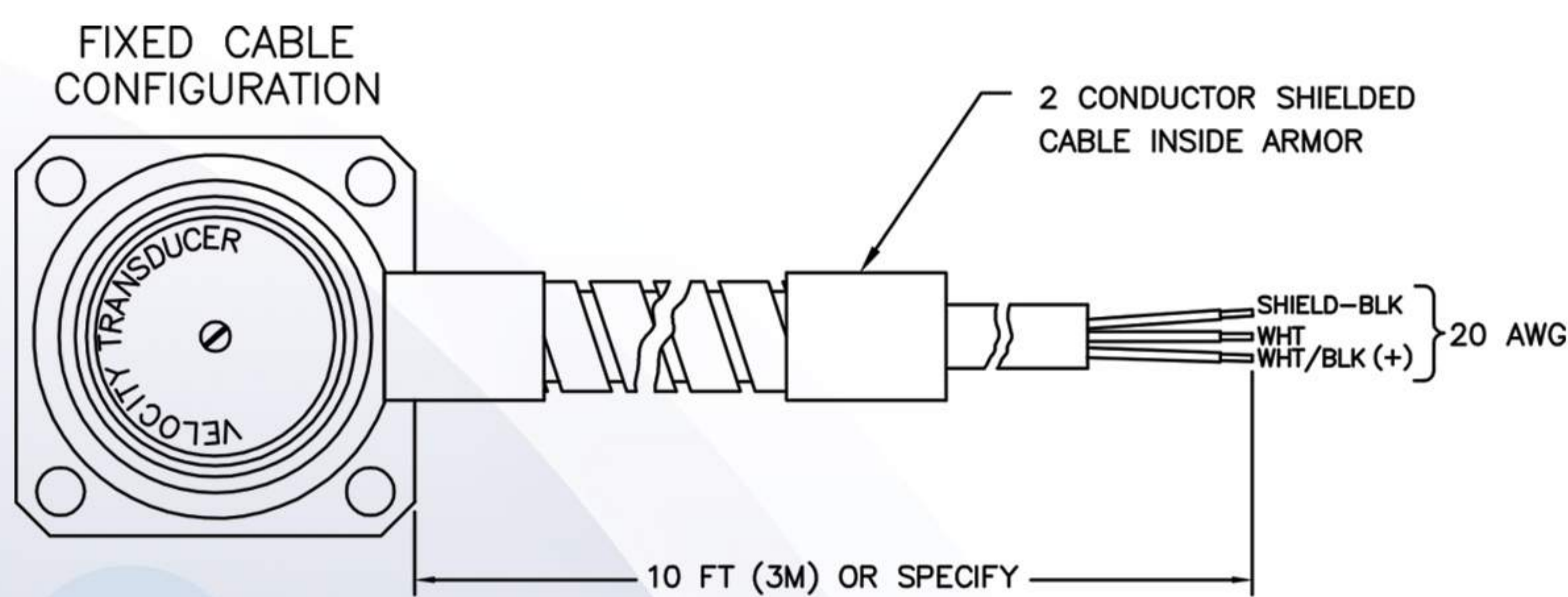
Heavy Machines, gas and steam turbines, compressors and pumps.
Our product VTS-24 is fully replaceable with Metrix & CEC velocity sensor.

Specifications

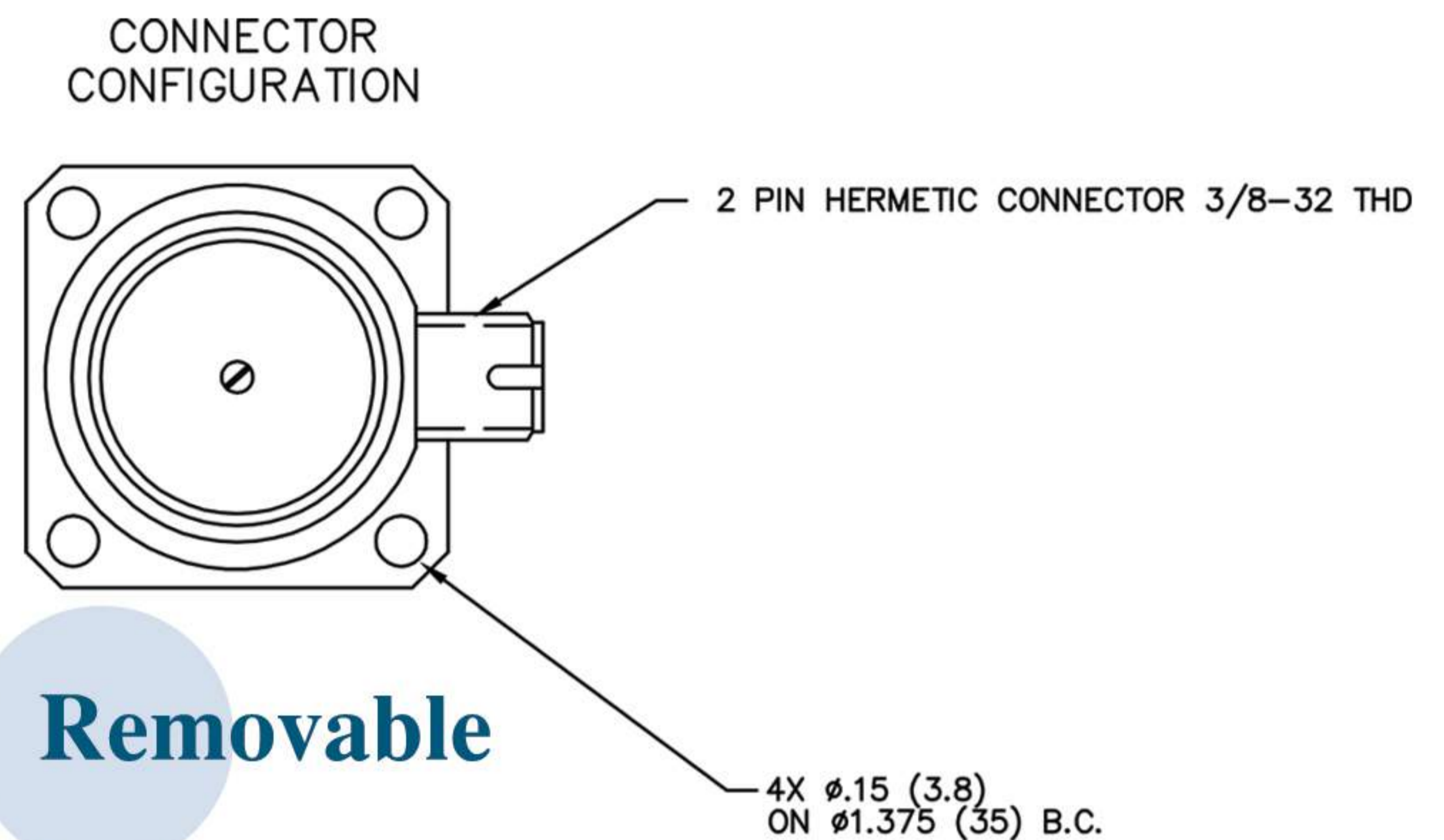
Axis Orientation	Any
Sensitivity	105, 145, 150 and 200 mV/in/s (see ordering options)
Sensitivity vs .Temperature	Less than 0.02%/°C
Cross-Axis Sensitivity	Less than 10%
Service Temperature	-20 to +240 °C
Frequency Response	15 Hz to 2000 Hz
Maximum g-level	50 g
Maximum Displacement	1.8 mm (70 mils) pk-pk
Material	Housing: 416 Stainless Steel Connector: 316 Stainless Steel Cable Armor: 304 Stainless Steel
Weight	Sensor: 0.2 kg ± 0.05 Armored Cable: 0.2 kg/m
Connector Type	Sensor: 2-pin (male)

Velocity sensor

How to Ordering a Velocity Sensor model VTS24



Integral



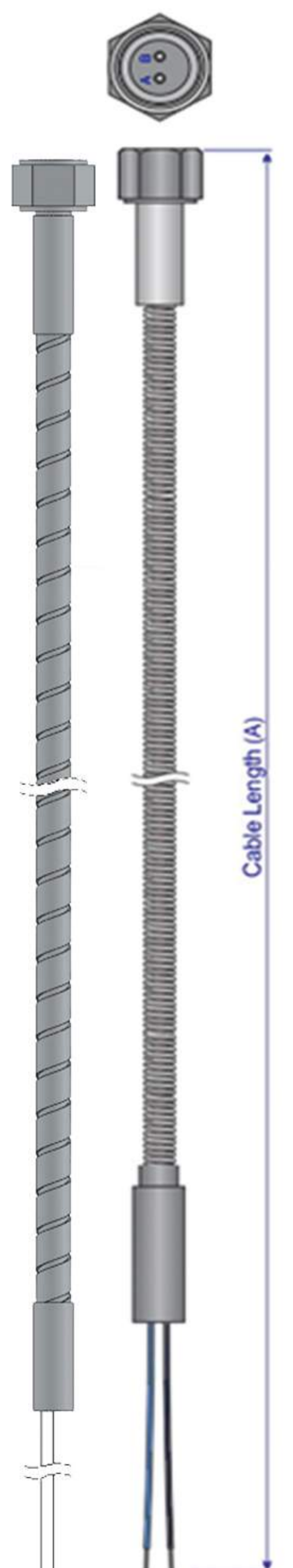
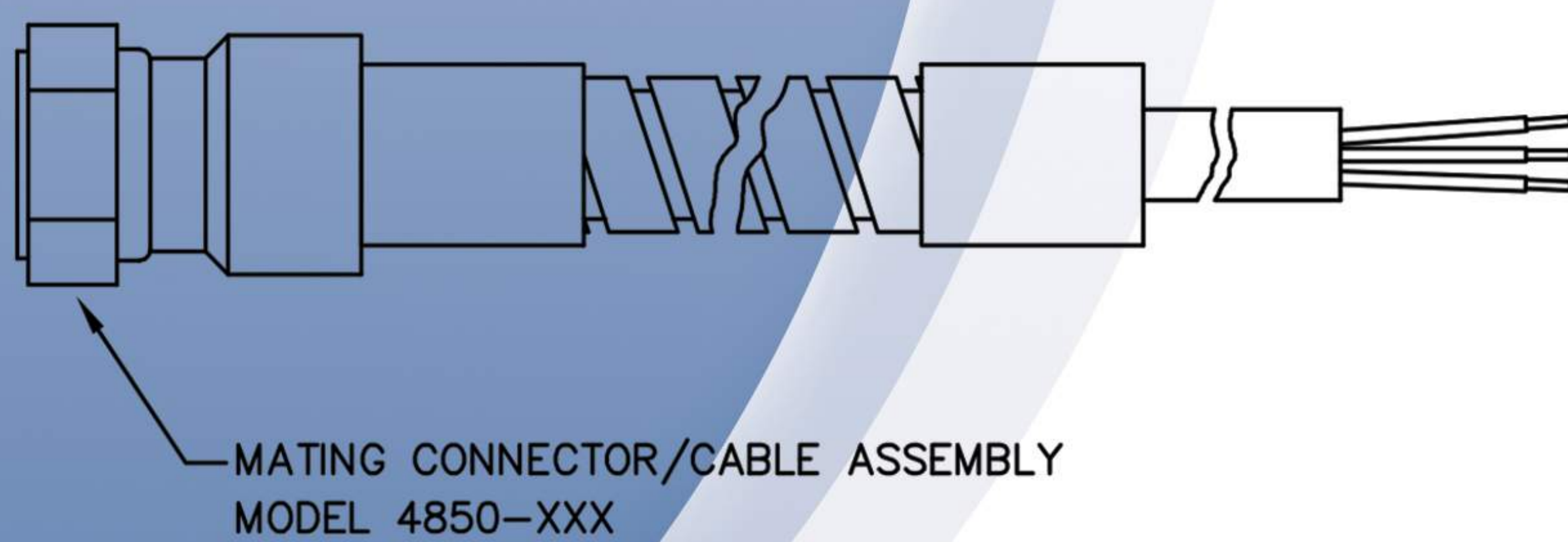
Removable

Model No	Cable Model	Output Type	Cable length (For Integral Model)	Ex Approval
VTS24	A XX	B XX	C XXX	D XX
VTS24	01: Removable 02: Integral	10: 105 mV/mils 20: 145 mV/mils 30: 150 mV/mils 40: 200 mV/mils	Min: 0.0 m Max: 15 m Example: 05 =5 m Example: 12 =12 m	00: Not EX 01: EX Approval

Example = VTS24-01-10-50-00

Extension Cable for Velocity Sensor

How to Ordering an Extension Cable for Velocity Sensor VTSC24



Model NO	Cable Length (A XX)
VTSC24	Min: 0.0 m Max: 15 m Example: 02 =2 m Example: 12 =12m

Example = VTSC24-05 for 5 M Length Cable



RETRO DAVVAR ENERGY

If there is a will, there is a way...



www.davvarenergy.com



info@davvarenergy.com



+98 21 66578268



+98 21 66578375



Unit13,4th Floor,431 Building, Azadi Street, Tehran, Iran

